



Lola Crib™ Toddler Bed Conversion Kit

Item Number - TDR1
Happiest Baby Lola

Toddler Bed Conversion Assembly

Assembly Instructions

THIS BED IS FOR CHILDREN OVER 15 MONTHS OF AGE AND MAXIMUM WEIGHT MUST NOT EXCEED 50 POUNDS (22.7 kg).

V3

CAUTION: ANY MATTRESS USED IN THIS TODDLER BED MUST BE AT LEAST 51 5/8 INCHES (131 CENTIMETERS) IN LENGTH, 27 1/4 INCHES (69 CENTIMETERS) IN WIDTH, WITH A THICKNESS NOT EXCEEDING 6 INCHES (15 CENTIMETERS)

WARNING: ENTRAPMENT / STRANGULATION HAZARD:

Failure to follow these warnings and the assembly instructions could result in serious injury or death from entrapment or strangulation.

Read all instructions before assembling toddler bed. KEEP INSTRUCTIONS FOR FUTURE USE.

- NEVER use bed with children under 15 months.
- Infants have died in toddler beds from entrapment and strangulation.
- NEVER place bed near windows where cords from blinds or drapes may strangle a child.
- NEVER place items with a string, cord, or ribbon around the child's neck, such as hood strings or pacifier cords.
- NEVER suspend strings over a toddler bed or attach strings to toys.
- NEVER use a water mattress with this toddler bed.
- NEVER use plastic shipping bags or other plastic film as mattress covers because they can cause suffocation.
- Openings in and between bed parts can entrap head and neck of a small child.
- Use a non-toxic finish specified for children's products, if refinishing.

Care and Cleaning

Care and Cleaning Instructions

- Dust regularly with soft, clean, lint-free, and dry clothes
- Clean by wiping with soft, cloth damp with mild soap
- Do not use chemical cleaners
- Do not use abrasives or furniture polish for cleaning
- Do not chip or scratch the finish
- Use clean and damp cloths to blot up spills immediately

Storage

Storage

- It is best to place the bed away from direct sunlight for an extended period of time, as prolonged harsh sunlight can discolor the finish.
- It is best to place the bed away from air-conditioning and heating vents.

Keep This Manual In A Safe Place For Future Reference

Hardware may loosen over time. Please check all bolts and screws to make sure all connections are tightly fastened. Re-tighten if necessary. Please read all cautionary statements on the inserted sheet before using this crib.



ENGLISH

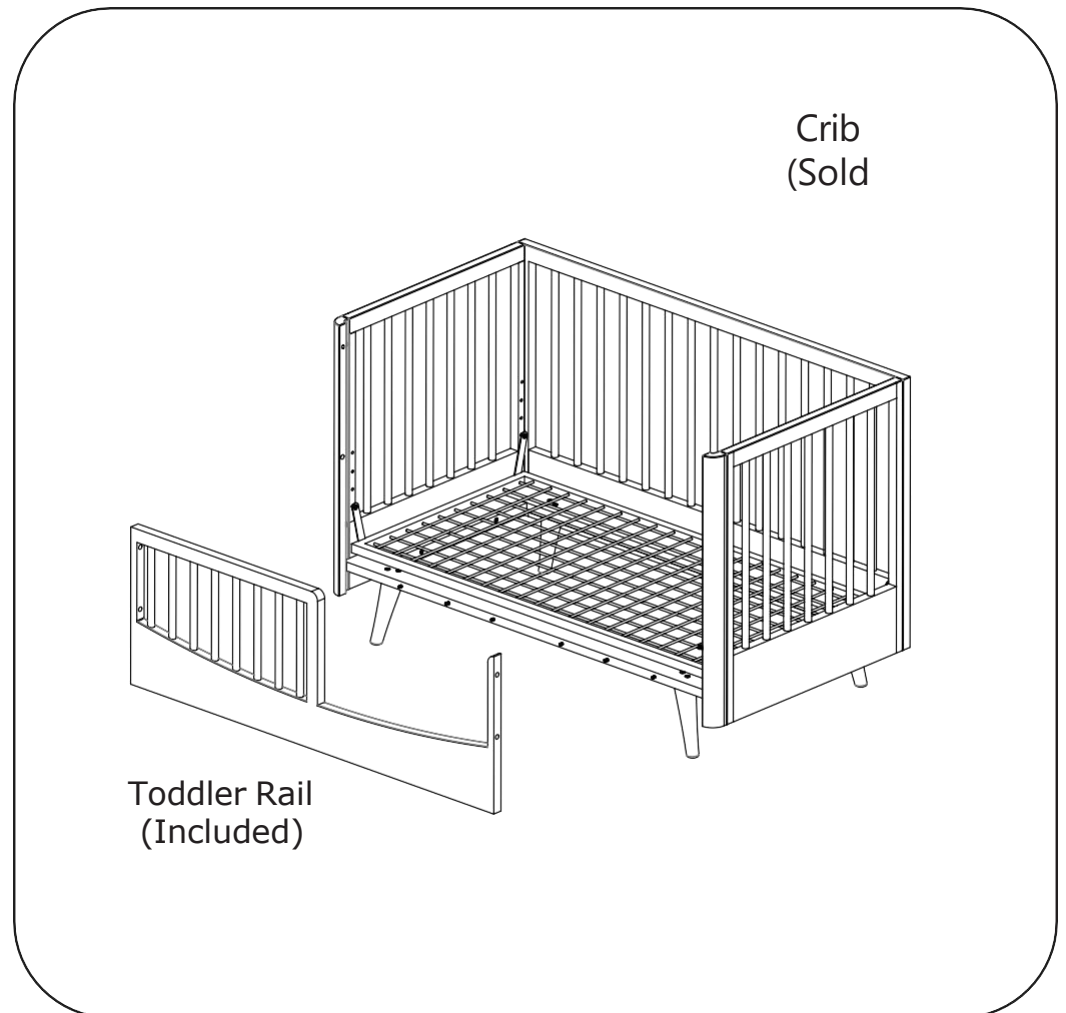
- Do not dispose of any packaging or shipping carton contents until assembly is completed to avoid accidentally discarding small parts or hardware.

Contact Us

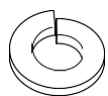
3115 S La Cienega
Blvd Los Angeles, CA
90016 Ph: (310) 476
4440
www.HappiestBaby.com



Two person operation

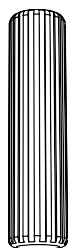


All hardware needed for conversion is already included with Crib.



Locking Washer

8x



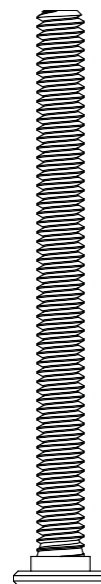
Wood Dowel

2x



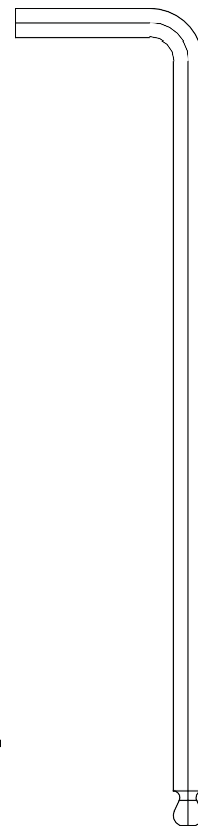
1.25 inch Bolt

4x



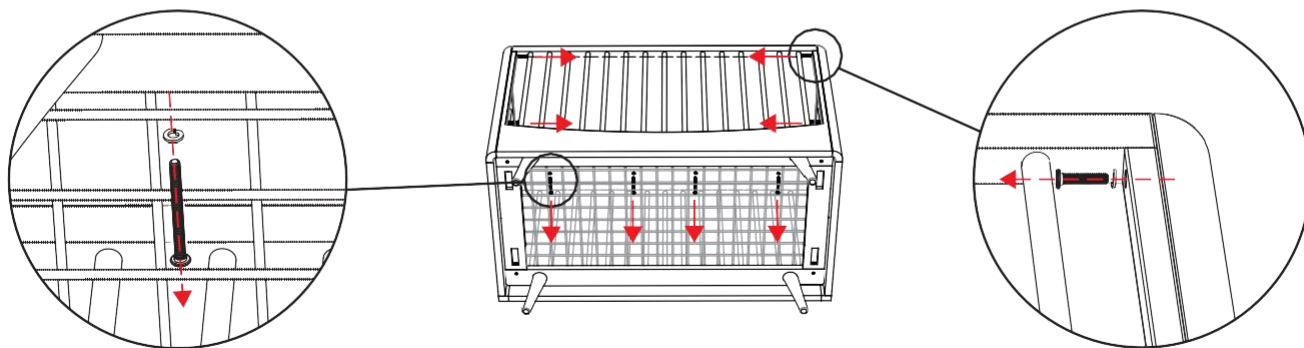
3 inch Bolt

4x

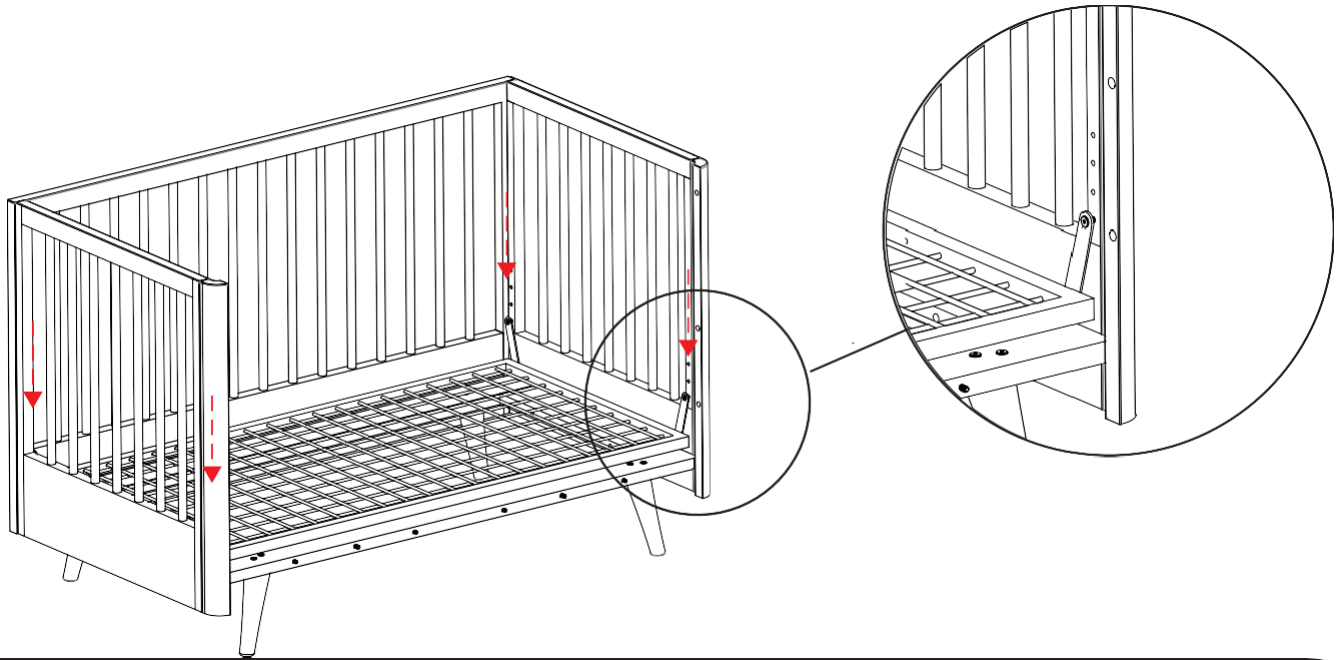


L-Key

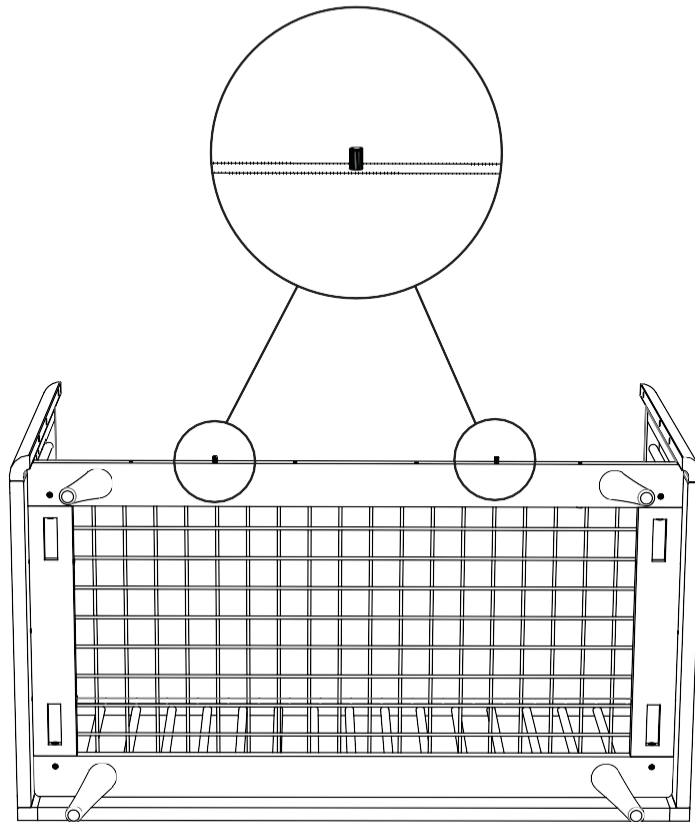
- 1 Flip Crib on its back. Unscrew the 8 bolts and washers fastening the Footboard to the Corner Posts and Frame as shown and remove Footboard from Crib.



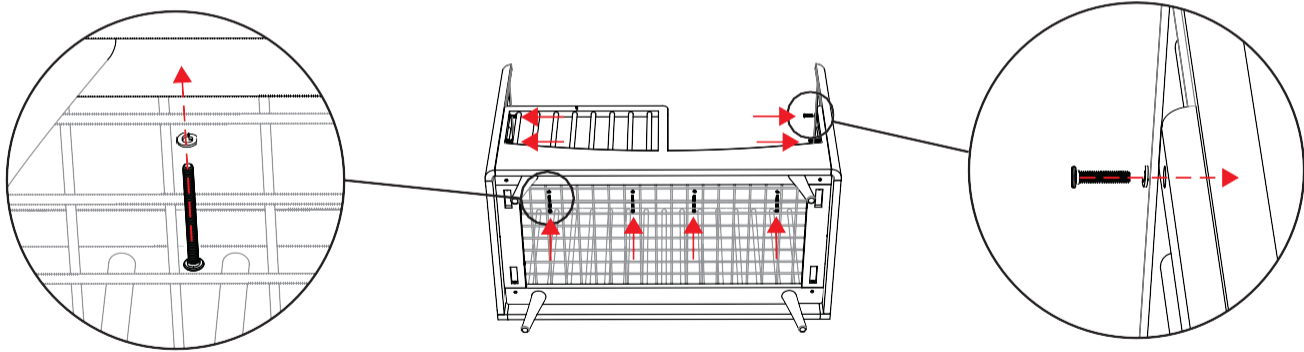
NOTE: Make sure that the Mattress Spring is on the lowest level.



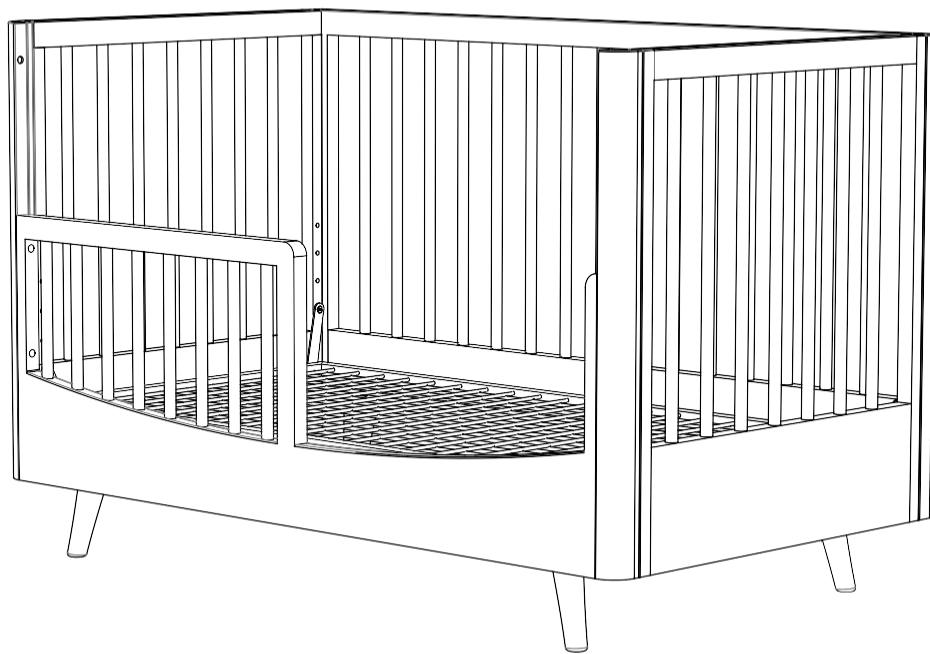
Leave dowels inserted in frame.



2 Hang Toddler Rail on the dowels and Frame. Use the same bolts and washers from the Footboard to fasten the Toddler Rail to the Frame and corner posts as shown.



Once Toddler Rail is fastened flip Crib back on its feet.



Now the Toddler Rail conversion is complete.