


Lola Crib[™]

Assembly Instructions


 **WARNING:** Failure to follow these warnings and assembly instructions could result in serious injury or death.

**Read all instructions before assembling crib.
KEEP INSTRUCTIONS FOR FUTURE USE.**

 **WARNING:** Parents should ensure a safe environment for the child by checking regularly, before placing the child in the product, that every component is properly and securely in place.

- Do not use this crib if you cannot exactly follow the instruction that comes with it.
- Do not place this crib near a window or a patio door where a child could reach the cord of a blind or curtain and be strangled.
- Check this crib regularly before using it, and do not use it if any parts are loose or missing or if there are any signs of damage. Do not substitute parts. Contact Happiest Baby Inc if replacement parts or additional instructions are needed.
- Children can suffocate on soft bedding. Do not place pillows, comforters, or soft mattresses in this crib.
- Do not use this crib for a child who can climb out of it or who is taller than 89 cm.
- Do not place any cord, strap, or similar item in or near this crib that could become wrapped around a child's neck.
- Check this product for damaged hardware, loose joints, loose bolts or other fasteners, missing parts, or sharp edges before and after assembly and frequently during use. Securely tighten loose bolts and other fasteners. DO NOT use crib if any parts are missing, damaged, or broken.
- Contact Happiest Baby Inc for replacement parts and instructional literature if needed. DO NOT substitute parts.
- **STRANGULATION HAZARD:** Strings can cause strangulation! Do not place items with a string around a child's neck, such as hood strings or pacifier cords. Do not suspend strings over a crib or attach strings to toys.
- To help prevent strangulation tighten all fasteners. A child can trap parts of the body or clothing on loose fasteners.
- DO NOT place crib near window where cords from blinds or drapes may strangle a child.

- FALL HAZARD: When child is able to pull to a standing position, set mattress to lowest position and remove bumper pads, large toys and other objects that could serve as steps for climbing out.
- STOP using crib when child begins to climb out or reaches the height of 35 in. (89cm).
- Infants can sufocate in gaps between the crib sides and a mattress that is too small.
- Infants can sufocate on soft bedding. Never add a pillow or comforter. Never place additional padding under an infant.
- To reduce the risk of SIDS, pediatricians recommend healthy infants be placed on their backs to sleep, unless otherwise advised by your physician.
- DO NOT use a water mattress with this crib.
- Replace teething rail if damaged, cracked, or loose, for crib that is equipped with teething rail.
- If refinishing, use a non-toxic finish specified for children's products.
- Follow warnings on all products in a crib
- Use a crib mattress that is no thicker than 15 cm and is of such a size that, when it is pushed firmly against any side of the crib, it does not leave a gap of more than 3 cm between the mattress and any part of the sides of the crib.
- Never use plastic shipping bags or other plastic film as mattress covers because they can cause sufocation.

 **WARNING:** Please DO NOT remove any wood screws in the normal disassembly of the crib.

Please read the Warning and Caution Statements insert before using your crib.

 **CAUTION:** ANY MATTRESS USED IN THIS CRIB MUST BE AT LEAST 27 ¼ INCHES (69 CENTIMETERS) BY 51 ⅝ INCHES (131 CENTIMETERS) WITH THICKNESS NOT EXCEEDING 6 INCHES (15 CENTIMETERS).

THIS PRODUCT CONFORMS TO THE APPLICABLE REGULATIONS OF THE CONSUMER PRODUCTS SAFETY COMMISSION.

Care and Cleaning

Care and Cleaning Instructions

- Dust regularly with soft, clean, lint-free, and dry clothes
- Clean by wiping with soft, cloth damp with mild soap
- Do not use chemical cleaners
- Do not use abrasives or furniture polish for cleaning
- Do not chip or scratch the finish
- Use clean and damp cloths to blot up spills immediately

Storage

Storage

- It is best to place the crib away from direct sunlight for an extended period of time, as prolonged harsh sunlight can discolor the finish.
- It is best to place the crib away from air-conditioning and heating vents.

Keep This Manual In A Safe Place For Future Reference

Hardware may loosen over time. Please check all bolts and screws to make sure all connections are tightly fastened. Re-tighten if necessary. Please read all cautionary statements on the inserted sheet before using this crib.

ENGLISH

- Do not dispose of any packaging or shipping carton contents until assembly is completed to avoid accidentally discarding small parts or hardware.

Contact Happiest Baby Inc
3115 S La Cienega Blvd
Los Angeles, CA 90016
Ph: (310) 476 4440
www.HappiestBaby.com

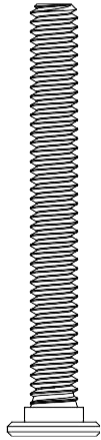


Two person operation

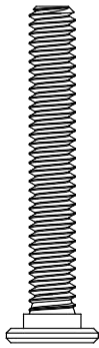
All hardware is packaged in bags labeled with the assembly step they correspond with.



3 inch Bolt
8x



2.25 inch Bolt
4x



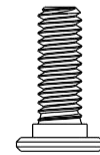
1.75 inch Bolt
12x



1.5 inch Bolt
8x



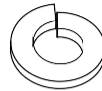
1.25 inch Bolt
4x



.63 inch Bolt
4x



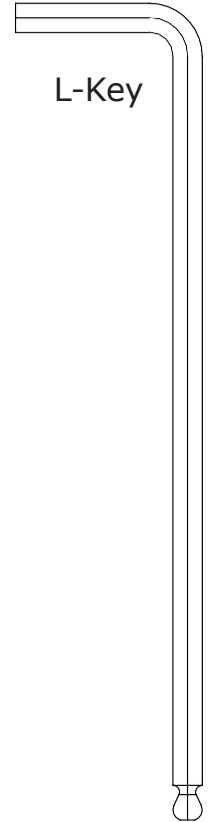
Barrel Nuts
4x



Locking Washer
36x

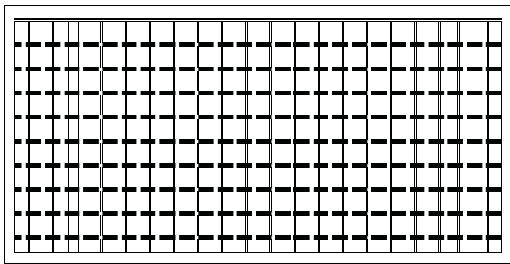


Wood Dowel
14x

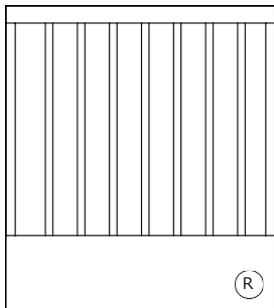


L-Key

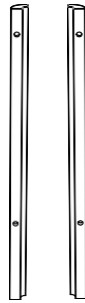
Mattress Spring



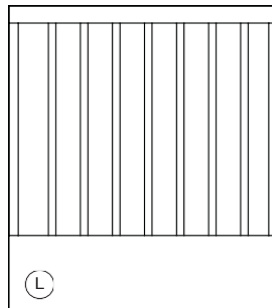
Right Minor Side



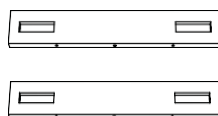
Corner Posts



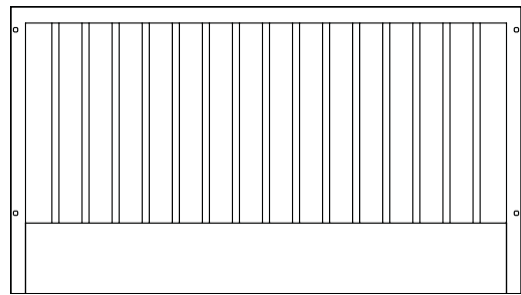
Left Minor Side



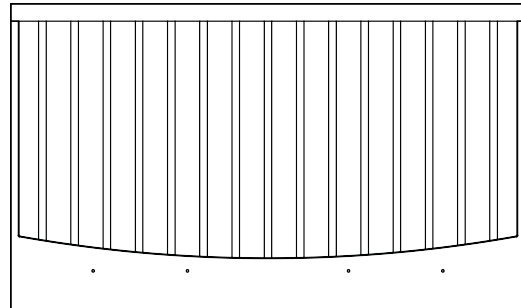
Minor Side Frame



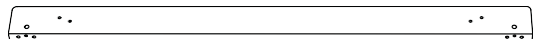
Headboard (Rear Side)



Footboard (Front Side)



Footboard Side Frame



Headboard Side Frame

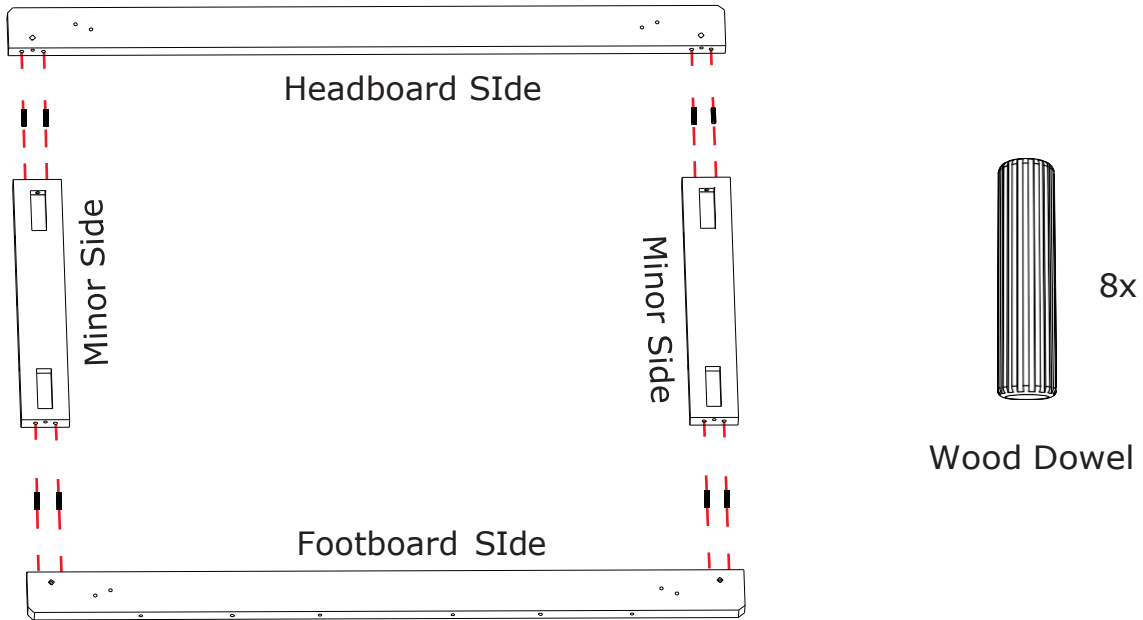


Legs

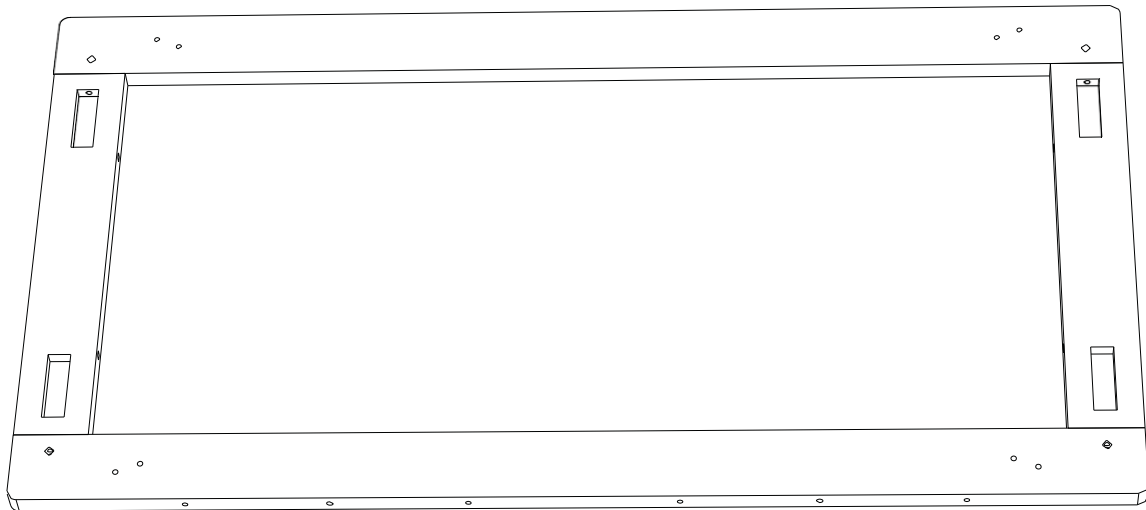


1 Find the 4 sides of the crib frame on the top layer of packaging.

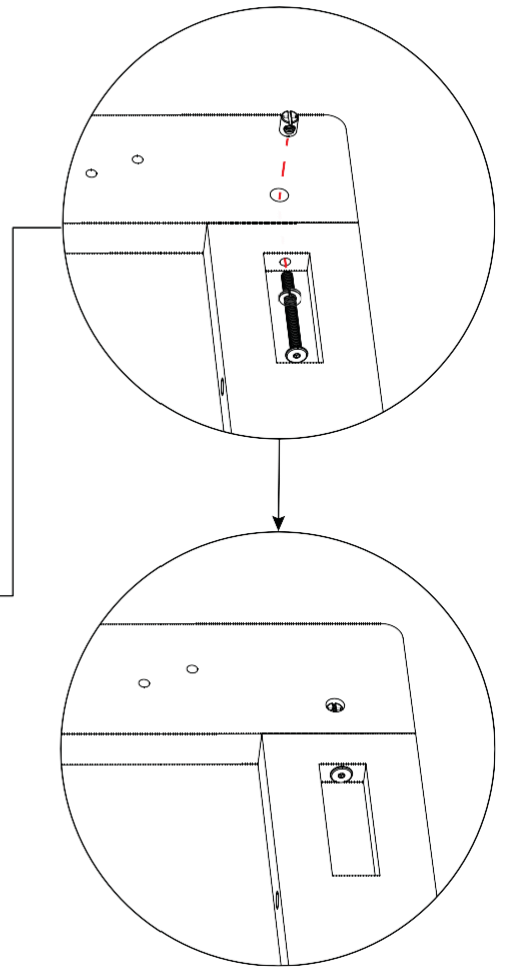
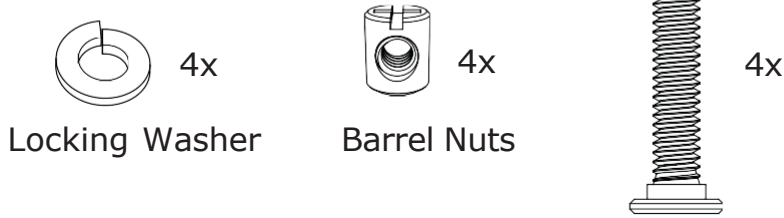
Take the 8 wooden dowels from hardware kit bag labeled "For Step 1" and use them to mate crib frame.



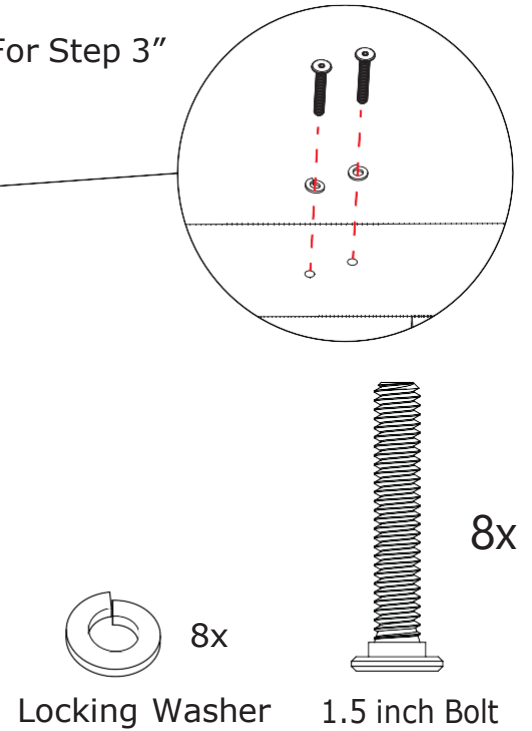
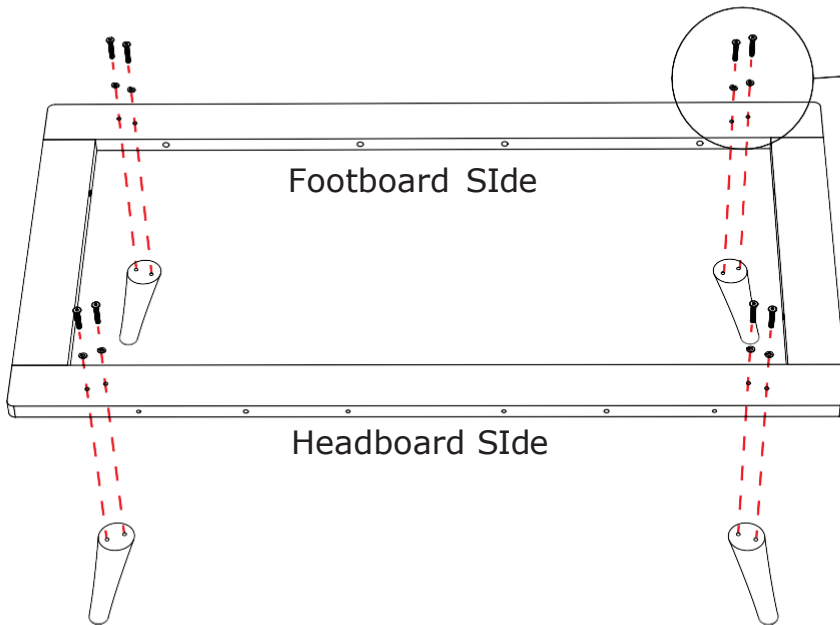
When put together it should look like this:



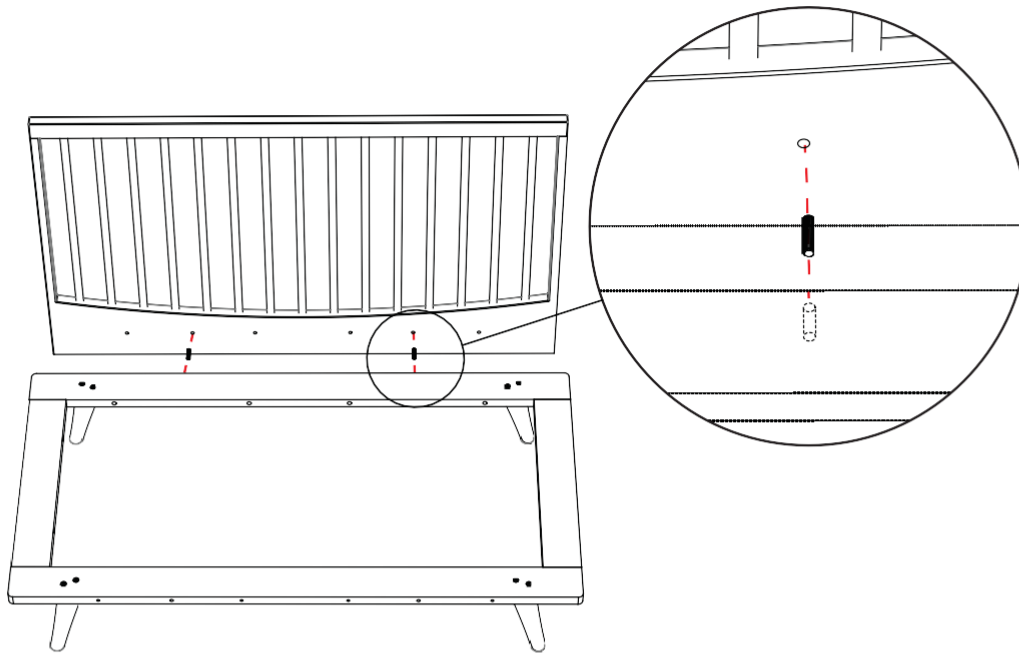
2 Use the 4 barrel nuts, washers and bolts in the "For Step 2" bag to fasten the frame together as shown.



3 Use the 8 bolts and washers from the bag labeled "For Step 3" to fasten the legs as shown.

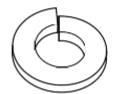


4 Use the 2 dowels from the bag labeled "For Step 4" to index the Footboard on the frame. Then use the 4 bolts and washers to fasten the Footboard to the Frame as shown.



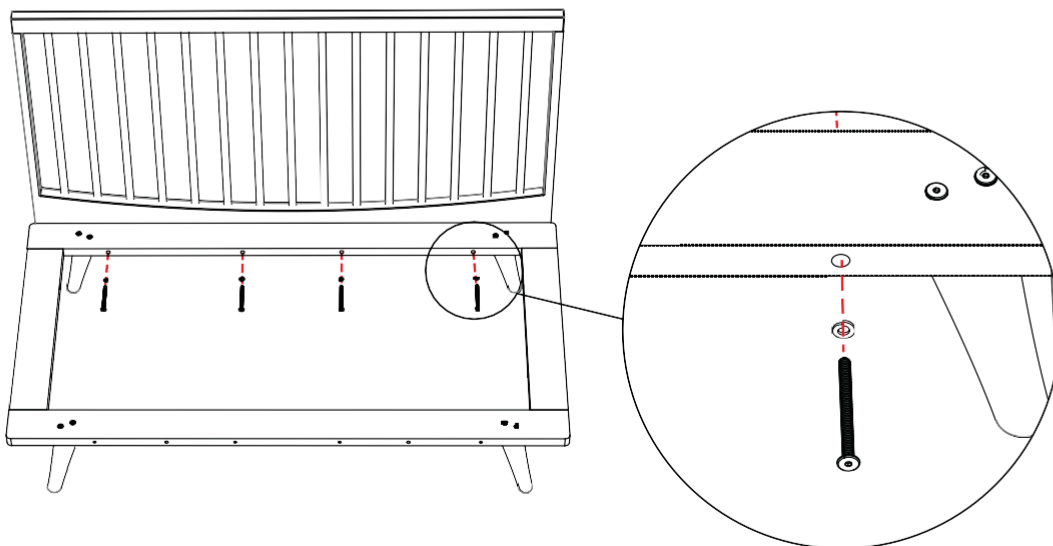
2x

Wood Dowel



4x

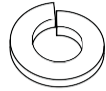
Locking Washer



4x

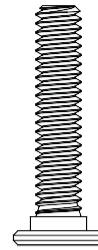
3 inch Bolt

5 Use the 4 bolts and washers from the bag labeled "For Step 5" to fasten the 2 Corner Posts to the Footboard as shown.



Locking Washer

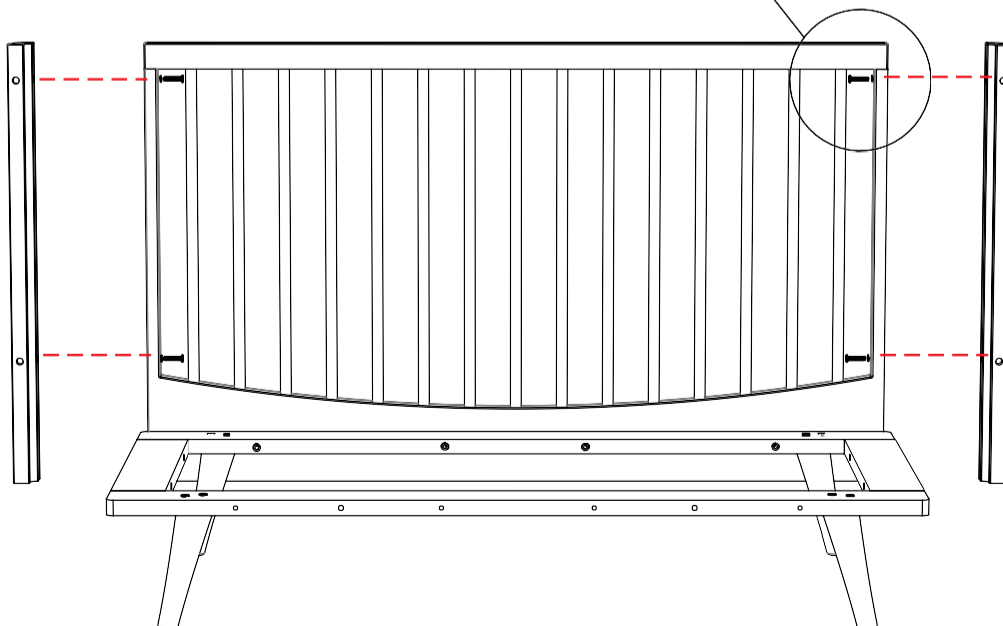
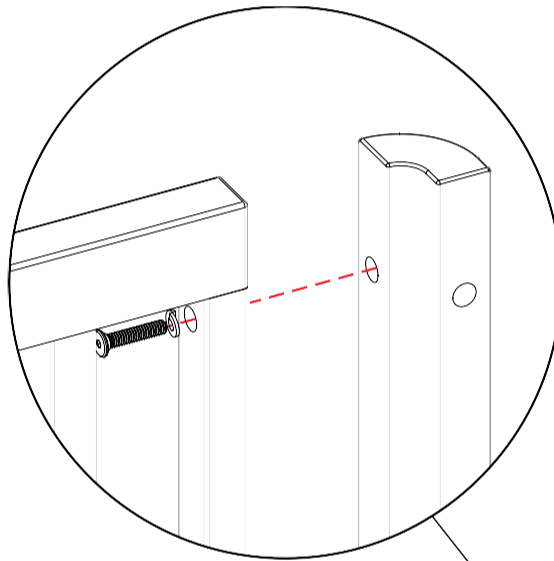
4x



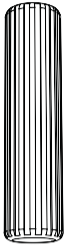
1.25 inch

Bolt

4x

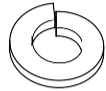


6 Use the 2 dowels from the bag labeled "For step 6" to index the Minor Sides and use the 4 bolts and washers to fasten them to the frame as shown.



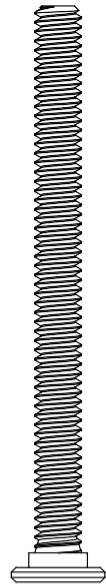
2x

Wood Dowel



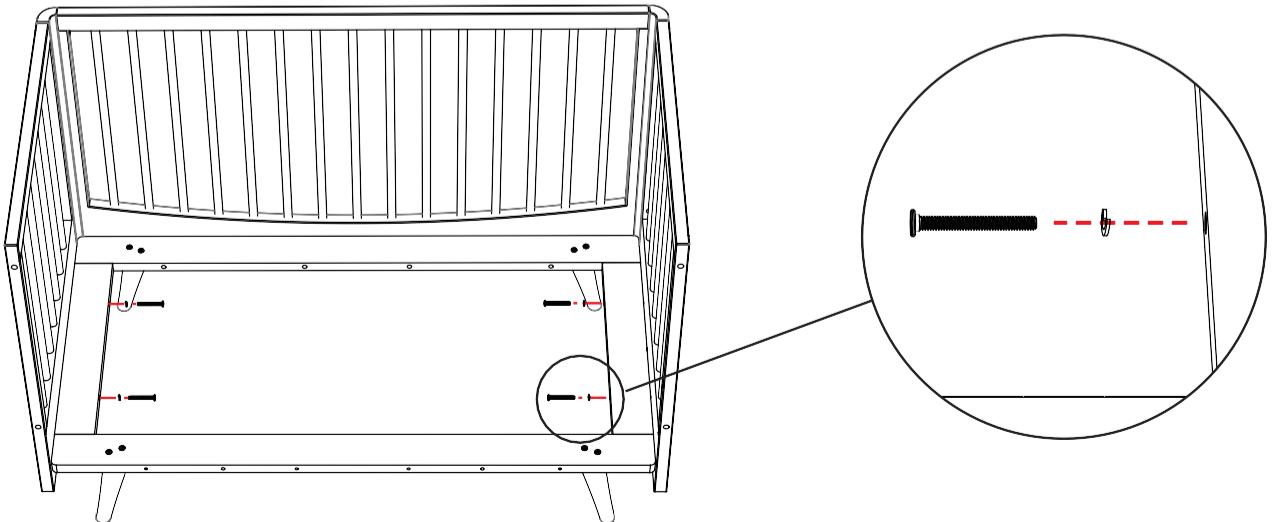
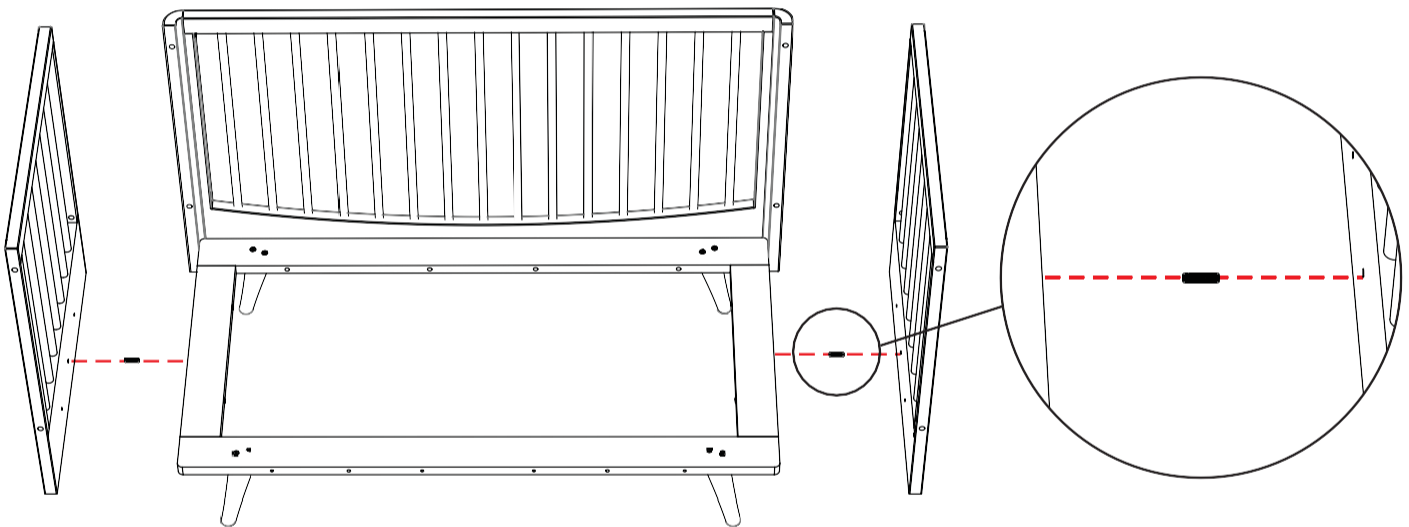
4x

Locking Washer

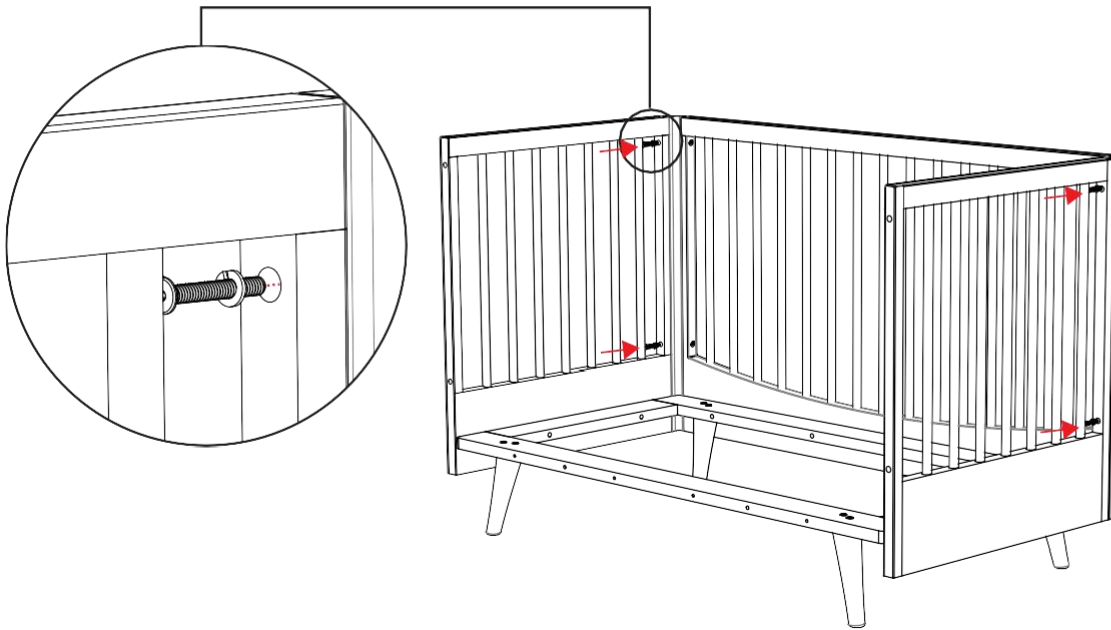


4x

3 inch Bolt

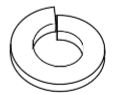


- 7 Use the 4 washers and bolts from the bag labeled "For step 7" to fasten the Minor Sides to the Corner Posts as shown.



4x

1.75 inch

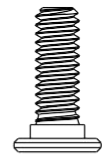
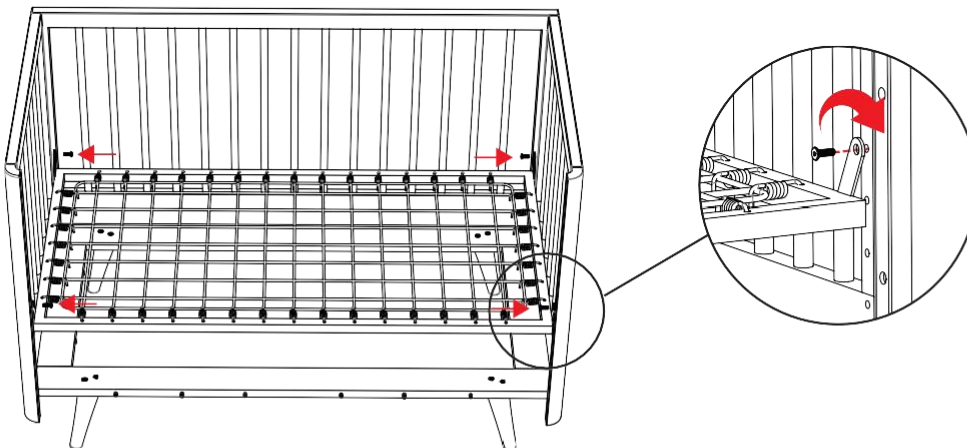


4x

Locking

- 8 Place the Mattress Spring inside the crib on top of the frame. Flip up the attachment brackets located at each corner of the Mattress Spring. Then use the 4 bolts from the bag labeled "For Step 8" to attach Mattress Spring to the Minor Sides of the crib.

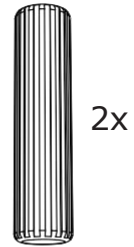
Note: The mattress support should be at the highest level when the child is a newborn. The mattress support must be at the lowest level before the child can stand up.



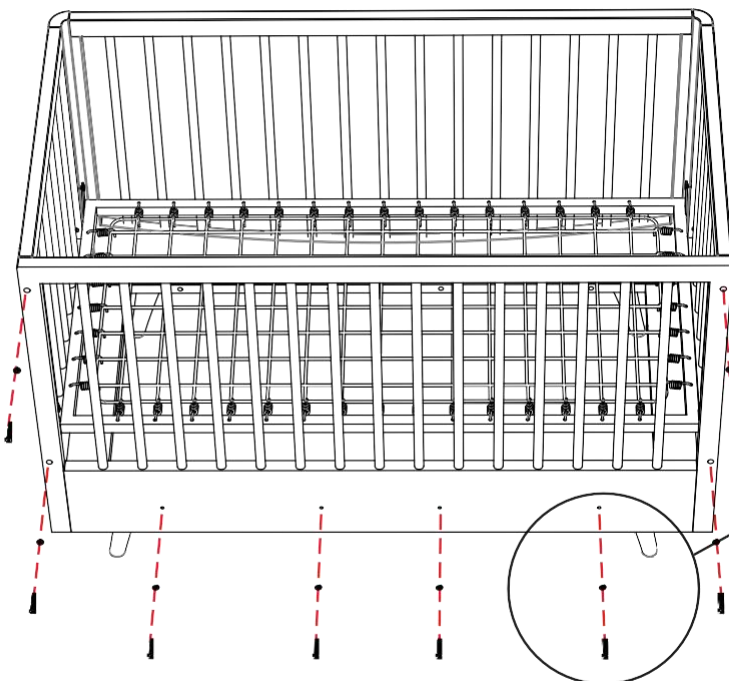
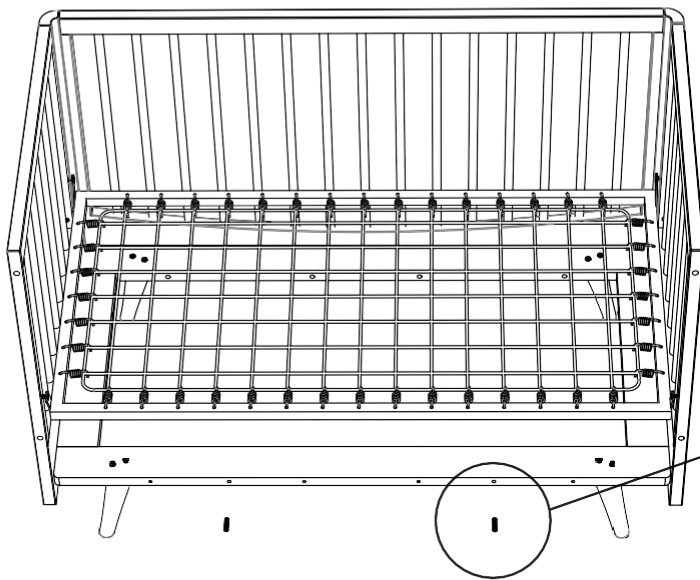
4x

.63 inch

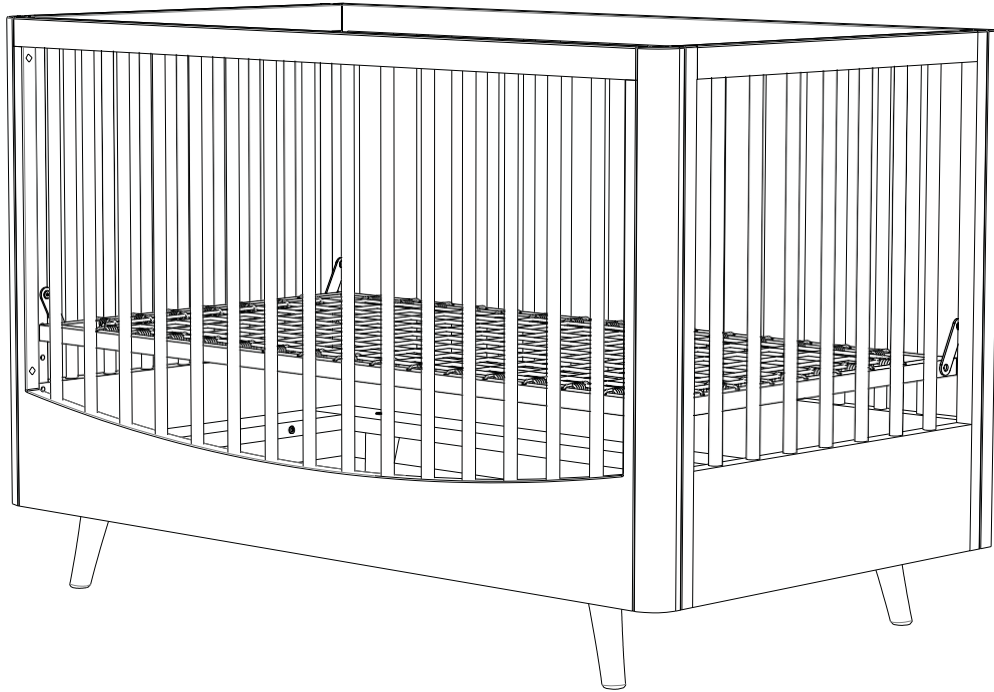
9 Use the 2 dowels from the bag labeled "For Step 9" to index the Headboard on the frame. Then use the 8 bolts and washers to fasten the Headboard to the Frame and Minor Sides as shown.



Wood Dowel



10 Congratulations! Your Lola Crib is now assembled.



Grow up with Lola Crib!

